



Doosan Machine Tools

HIGH PRECISION GRAPHITE MACHINING CENTER

VX

6500G



Basic structure

VX6500G has the Bridge type structure for high-performance, high-accuracy machining

Travel distance

X axis 1050 mm
(41.3 inch)

Y axis 650 mm
(25.6 inch)

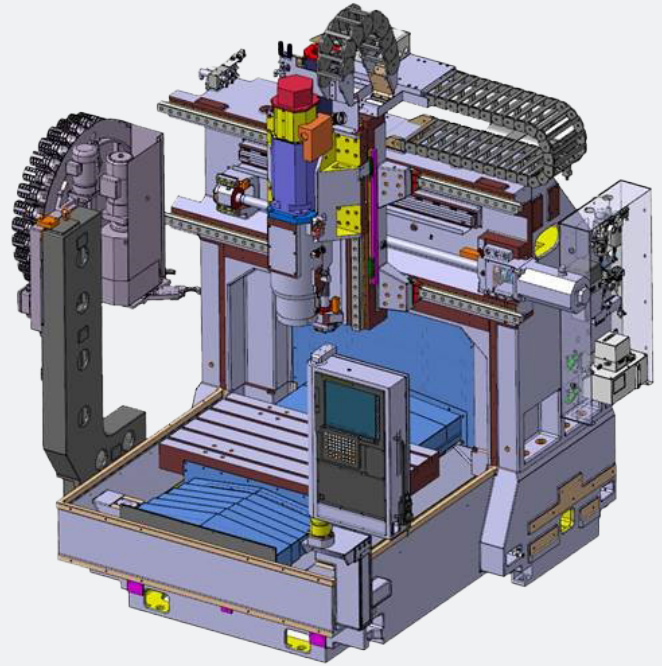
Z axis 550 mm
(21.7 inch)

Rapid traverse rate

X axis 30 m/min
(1181.1 ipm)

Y axis 30 m/min
(1181.1 ipm)

Z axis 30 m/min
(1181.1 ipm)



Spindle

The new spindle provides low noise and high precision performance.

Max. spindle speed

12000 r/min {20000 / 30000 / 40000} option

Max. Spindle power

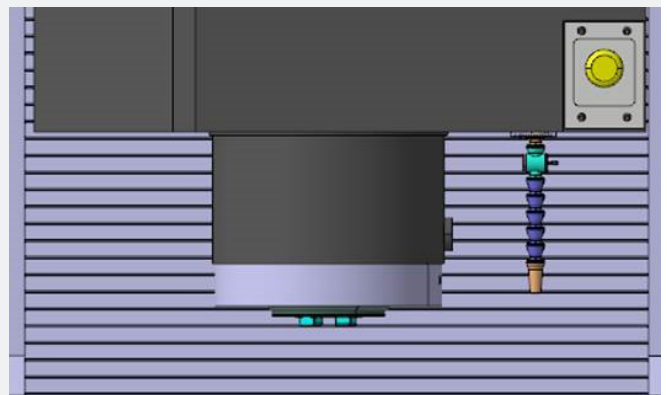
18.5/11 kW {22/11, 18.5/13, 5.5/3.7} option

(24.8/14.8 Hp {29.5/14.8, 24.8/17.4, 7.4/5.0})

Max. spindle torque

117.8 N·m
{60, 5.9, 3.5} option

(86.9 ft-lbs {44.3, 4.4, 2.6})

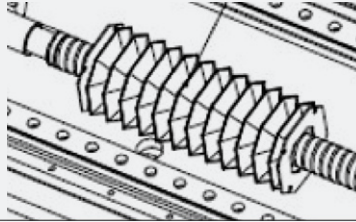


Graphite package

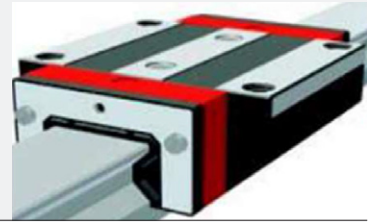
Various protection package from graphite dust which can effect to reliability and accuracy of axis and spindle.

Protective device applied for outstanding linear axis accuracy of feed drive system.

1. Ball screw cover



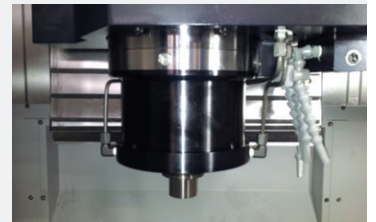
2. LM guide double wiper



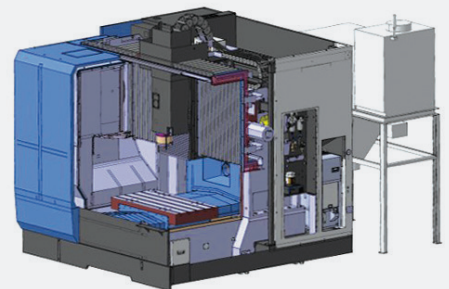
3. Grease lubrication



4. Spindle lubrication air-oil suction unit (Only built-in spindle(20/30/40K) option)



5. Graphite dust collector



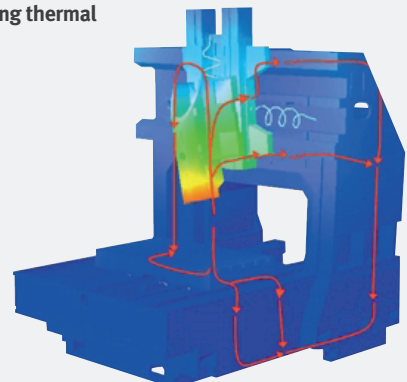
Realizes high-quality, high-precision machining with smoothing thermal displacement compensation of the spindle and structure.

Compensation of static displacement of spindle

Compensates in tool position caused by expansion of the spindle shaft at high speed.

Structure thermal displacement compensation

Compensates irregular deflection or expansion of the structure due to ambient temperature using a multiple temperature sensors.





Head Office

22F T Tower, 30, Sowol-ro 2-gil
Jung-gu, Seoul, Korea, 04637

Tel +82-2-6972-0370/0350

Fax +82-2-6972-0400

Doosan Machine Tools America

19A Chapin Road, Pine Brook
New Jersey 07058, United States

Tel: +1-973-618-2500

Fax: +1-973-618-2501

Doosan Machine Tools Europe

Emdener Strasse 24, D-41540
Dormagen, Germany

Tel: +49-2133-5067-100

Fax: +49-2133-5067-111

Doosan Machine Tools India

No.82, Jakkuar Village
Yelahanka Hobli, Bangalore-560064

Tel: + 91-80-2205-6900

E-mail: india@doosanmt.com

Doosan Machine Tools China

Room 101,201,301, Building 39 Xinzhuan
Highway No.258 Songjiang District
China Shanghai (201612)

Tel: +86 21-5445-1155

Fax: +86 21-6405-1472

Sales inquiry

sales@doosanmt.com

*For more details, please contact Doosan Machine Tools.

*The specifications and information above-mentioned may be changed without prior notice.

*Doosan Machine Tools Co., Ltd. is a subsidiary of MBK Partners. The trademark **DOOSAN** is used under a licensing agreement with Doosan Corporation, the registered trademark holder.



**Fire Safety
Precautions**

There is a high risk of fire when using non-water-soluble cutting fluids, processing flammable materials, neglecting use coolants and modifying the machine without the consent of the manufacturer. Please check the SAFETY GUIDANCE carefully before using the machine.