



HIGH PRECISION GRAPHITE  
MACHINING CENTER

# VX

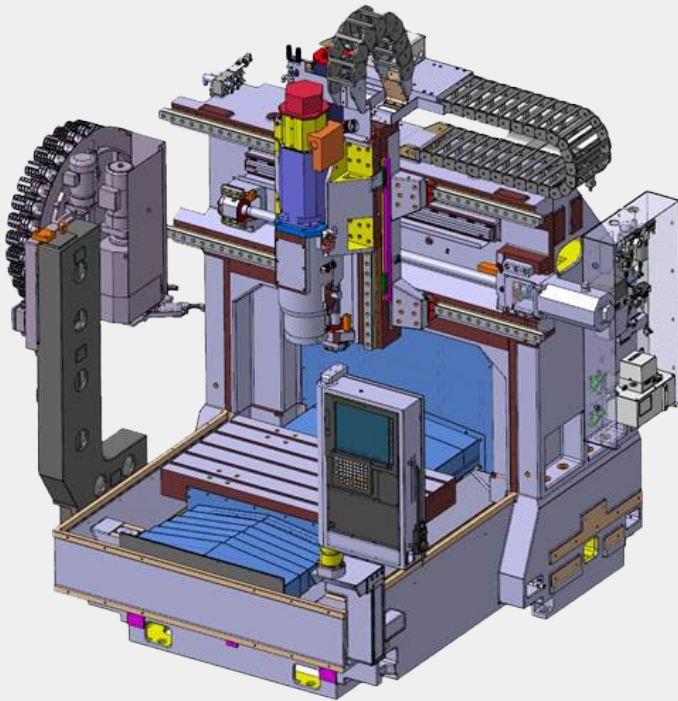
## 6500G



**DN SOLUTIONS**

# BASIC STRUCTURE

VX6500G has the Bridge type structure for high-performance, high-accuracy machining



## Travel distance

X axis **1050** mm 41.3 inch

Y axis **650** mm 25.6 inch

Z axis **550** mm 21.7 inch

## Rapid traverse rate

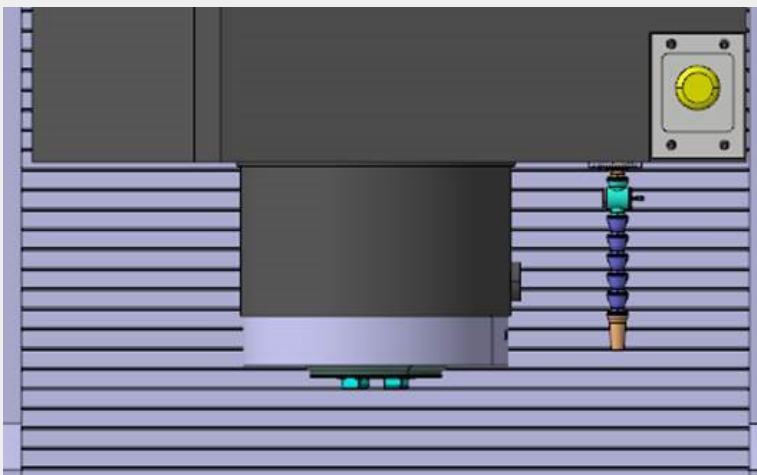
X axis **30** m/min 1181.1 ipm

Y axis **30** m/min 1181.1 ipm

Z axis **30** m/min 1181.1 ipm

# SPINDLE

The new spindle provides low noise and high precision performance.



## Max. spindle speed

**12000** r/min

20000, 30000, 40000 r/min option

## Max. Spindle power

**18.5/11** kW

22/11, 18.5/13, 5.5/3.7 kW option

24.8/14.8 Hp

{29.5/14.8, 24.8/17.4, 7.4/5.0}

## Max. spindle torque

**117.8** N·m

60, 5.9, 3.5 N·m option

86.9 ft-lbs {44.3, 4.4, 2.6}

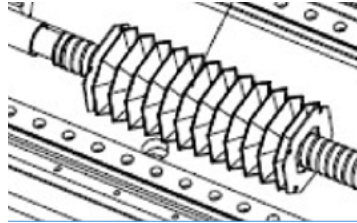
# GRAPHITE PACKAGE

Various protection package from graphite dust which can effect to reliability and accuracy of axis and spindle.

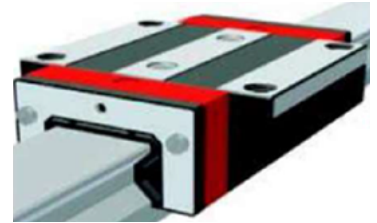
Protective device applied for outstanding linear axis accuracy of feed drive system.

VX 6500G is capable of processing various high hardness/high heat resistance ceramic materials such as Si (silicon), SiC (silicon carbide), aluminum oxide, and Quartz.

## 1. Ball screw cover



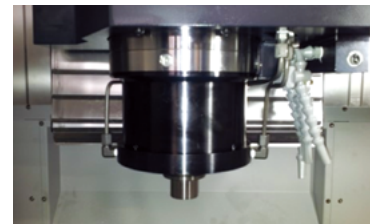
## 2. LM guide double wiper



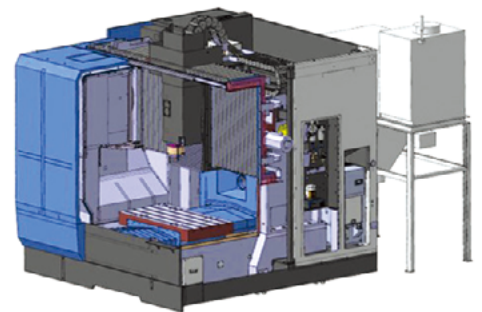
## 3. Grease lubrication



## 4. Spindle lubrication air-oil suction unit (Only built-in spindle(20/30/40K) option)



## 5. Graphite dust collector



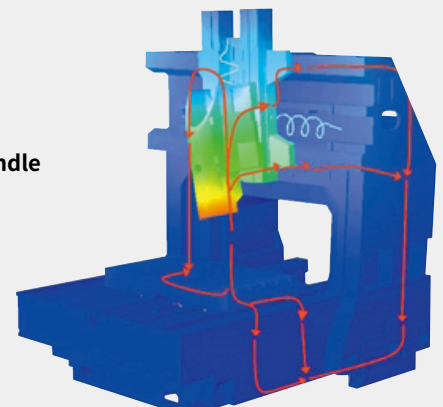
Realizes high-quality, high-precision machining with smoothing thermal displacement compensation of the spindle and structure.

### Compensation of static displacement of spindle

Compensates in tool position caused by expansion of the spindle shaft at high speed.

### Structure thermal displacement compensation

Compensates irregular deflection or expansion of the structure due to ambient temperature using a multiple temperature sensors.





[dn-solutions.com](http://dn-solutions.com)

**Head Office**

22F T Tower, 30, Sowol-ro 2-gil  
Jung-gu, Seoul, Korea, 04637  
Tel: +82-2-6972-0370/0350  
Fax: +82-2-6972-0400

**DN Solutions America**

19A Chapin Road, Pine Brook  
New Jersey 07058, United States  
Tel: +1-973-618-2500  
Fax: +1-973-618-2501

**DN Solutions Europe**

Emdener Strasse 24, D-41540  
Dormagen, Germany  
Tel: +49-2133-5067-100  
Fax: +49-2133-5067-111

**DN Solutions India**

No.82, Jakkuar Village  
Yelahanka Hobli, Bangalore-560064  
Tel: + 91-80-2205-6900  
E-mail: [india@dncompany.com](mailto:india@dncompany.com)

**DN Solutions China**

Room 101,201,301, Building 39 Xinzhuan  
Highway No.258 Songjiang District  
China Shanghai (201612)  
Tel: +86 21-5445-1155  
Fax: +86 21-6405-1472

**Sales inquiry**

[sales@dncompany.com](mailto:sales@dncompany.com)

\* For more details, please contact DN Solutions.

\* Specifications and information contained within this catalogue may be changed without prior notice.